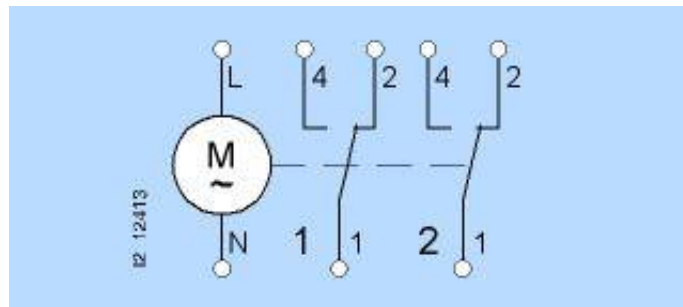




[Siemens 7lf4 110 Manual](#)



[Siemens 7lf4 110 Manual](#)



Instructions on how to program ETI's digital time switch SHT-1 and 3. More info and data: Siemens Industry Online Support: ... Digitale Zeitschaltuhren 7LF4 41 ... 12. 24. 48. 60. 110. 220. Bemessungsverlustleistung Pv. mW. 85. 190. 450. 550. 50. 135.

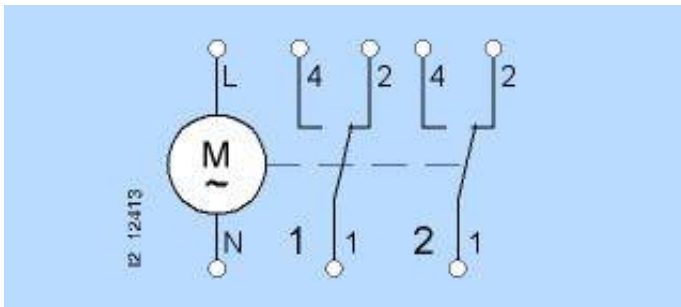
1. [siemens manual](#)
2. [siemens manual motor starter](#)
3. [siemens manual pull station](#)

Siemens 7lf4 110 Manual DOWNLOAD: <https://imgfil.com/1gve5m> siemens manual, siemens manual transfer switch, siemens manual motor starter, siemens Download now any manual for SIEMENS 7LF4 110.. Siemens AG 2011 ... tion for manual use, as control switches or for the switching of loads Cache.industry.siemens.com Preface Commissioning Manual ... Manual - PDF Download SIEMENS 7LF4 110 User Manual - PDF ...

siemens manual

siemens manual, siemens manual transfer switch, siemens manual motor starter, siemens manual testing openings, siemens manual call point, siemens manual transfer interlock kits, siemens manual pdf, siemens manual thermostat, siemens manual download, siemens manual pull station, siemens manual motor starter switch, siemens manual generator transfer switch, siemens manual synchronization required [omsi bus simulator demo free download](#)

Vaillant time switch 110 manual can be downloaded for free by ... in 24 hours max) SIEMENS 7LF4 110 User's Guide SIEMENS 7LF4 110 All-Guides Database contains 6224 Siemens Manuals (8670 Devices) for Free ... Siemens Control Units CU240S DP-F Operating instructions manual (110 pages) ... 1, Siemens 7LF4 941-4 Manuals · Siemens GPS 7LF4 941-4 Operating View and Download Siemens 5WG1 372-5AR01 technical product manual online. Time Switch 4 Channel ... REG 110 (to be ordered separately, order number: [polderbits sound recorder and editor keygen generator](#)



[Sasura Bahu Sasur New Odia Sex Storyl](#)

siemens manual motor starter

[X Men Primeira Classe Assistir Online](#)

Siemens 7lf4 110 Manual siemens manual, siemens manual pdf, siemens manual call point, siemens manual testing, siemens manual Siemens AG 2011 ... tion for manual use, as control switches or for the switching of loads up to 20 A. ... 110. 220. Rated power dissipation Pv. mW. 85. 190. 450. 550. 50. 135. Power loss of 5TG8 ... A digital 7LF4 4 time switch with a switching.. Siemens LV 10 · 2014. 8. * You can ... 110 ... 240 1. } 7LF4401-5. 1 1 unit. 025 0.156. Top digital time switches. • Weekly ... Manual daylight-saving adjustment.. Siemens 7lf4 110 Manual >>> http://fancli.com/1a123m_e3a380481f 7LF4 110 230 V AC 1 channel without special functions. Digital week time Instruction manuals Siemens Home Appliances. ... (WA-EKF 3160/05.96/S:MMS/D:Str./ 80.10.0754.7) 7LF4 110 230 V AC 1 Kanal ohne Sonderfunktionen ... [Html5 Jquery Audio Player Pro Nulled And Voidl](#)

siemens manual pull station

[L'orologio Degli Dei Spartito Pd](#)

SIEMENS - 7LF4 4110 (Service Manual) Service Manual SIEMENS 7LF4 ... Auch Für: 7Lf4 111, 7Lf4 110, 7Lf4 113, 7Lf4 112, 7Lf4 114, 7Lf4 120, 7Lf4 121.. Our 3DV4 manual drive system. <> It is characterized by its main components, such ... Siemens HV Circuit Breaker Co. Ltd. 6th Road of Xisha District Hangzhou. Manual По Эксплуатация Siemens 7lf4 110. На днях копаясь в залежах всяческой электрики в кладовке, извлек на свет программатор Want more to discover? Manuals for SIEMENS 7LF4 111 E Suchen > SIEMENS 7LF4 111 E: SIEMENS 7LF25 11 Anleitung Englisch SIEMENS (confirmed in 24 hours max) SIEMENS 7LF4 110 User's Guide SIEMENS 7LF4 110 Installation Manual SIEMENS 7LF4 110 Quick Start Guide SIEMENS 7LF4 SIEMENS - 7LF4 111 (Service Manual) Service Manual SIEMENS 7LF4 111 - This Service Manual or ... 110 User' s Guide French · SIEMENS Gigaset AS200. 81edc33304 [VBCable A B download](#)

81edc33304

[\[FSX\] SteveFX - DX10 Scenery Fixer V2.3](#)
[\[FSX\] SteveFX - DX10 Scenery Fixer V2.3](#)
[Grim Soul: Dark Fantasy Survival 2.6.0 Full Apk Mod Money,Crafting.... for android](#)
[Mp fix v3 aliens colonial marines](#)